

MILTECH™ 808

A *Truly* IP 67 Military Rugged Switch

PRODUCT FEATURES

ETHERNET PORTS:

- 8 x switched 10/100 (Fast Ethernet) ports
- Option: 10/100/1000BASE-T, SX, LX (Gigabit) uplink

MANAGEMENT:

- Fully Managed with data, video, and voice service features for security, QoS, and high availability
- Remote Monitoring (RMON) software agent
- SNMP Network Management

REMOTE MANAGEMENT PROTOCOLS:

RMON I, RMON II, SNMPv1, SNMPv2c, SNMPv3, IGMP Snooping, IP, LAG, TCP, UDP, Telnet, WEB

NETWORKING:

- Full wire-speed forwarding rate
- Store-and-forward mechanism
- Auto MDI-II, MDI-X
- Auto-Negotiation Protocol
- MAC address Filtering
- Port Mirroring
- Link Aggregation

CONNECTORS:

- MIL-D-38999 (Power & Ethernet signals)
- Power Connector Type: D38999/24WA98PN
- LAN Connector Type: D38999/24WA35SN

CHASSIS:

- Low profile rugged aluminum extrusion
- Conductively cooled w/custom internal heat-sinks
- Ingress protection against sand, dust and moisture
- Anodize Coating, MIL-A-8625, Type II, Class 2

STANDARDS:

- MILSTD-1275, MILSTD-461E, MILSTD-810F GM, IP67

VOLTAGE OPERATION:

- 24VDC



PRODUCT SPECIFICATIONS

PERFORMANCE:

- 3.8 Mpps wire speed forwarding rate
- 5.4 Gbps maximum forwarding bandwidth
- MAC Address Table Size: 4K entries

STANDARDS COMPLIANCE:

- IEEE 802.1d Spanning Tree Bridge
- IEEE 802.1p LAN L2 QoS/CoS Traffic Prioritization
- IEEE 802.1w Rapid Spanning Tree Protocol (RSTP)
- IEEE 802.1x Radius Port Access Control Authentication
- IEEE 802.3 10 Mbps 10BASE-T (Ethernet)
- IEEE 802.3ab 1000BASE-T 1000 Mbps (Gig Ethernet)
- IEEE 802.3ad Link aggregation Control Protocol (LACP)
- IEEE 802.3u 100BASE-TX 100 Mbps (Fast Ethernet)
- IEEE 802.3x Flow Control
- IEEE 802.1Q Virtual LANs (VLAN)

POWER:

- MIL-STD-1275B Surge and Spike protection
- Voltage Input: 24Vdc Nominal (18-32V)
- Power Consumption: 7.4W Typical
- Ground: Grounding lug provided for connection to system chassis ground

ELECTROMAGNETIC:

- MIL-STD-461E Electromagnetic compatibility
- RE-02, RS-03

SHOCK/VIBRATION/HUMIDITY:

- MIL-STD-810F, 501.4I, 501.4II, 502.4I, 502.4II, 507.4, 500.4II, 514, 516I, 516VI, 514.5, 512.4.
- IP67

PHYSICAL:

- Dimensions: 269mm (L) x 133(W) x 65(H), including connectors & Dust Caps
- Weight: 1.5kg

INSTALLATION:

- Four 4x4.5 mounting holes on bottom - mounting to any flat Surface.

COOLING:

- No Moving Parts. Passive Cooling

OPERATING TEMP:

- -35°C to +75°C (-31°F to +167°F) – Cold Start-Up

STORAGE TEMP:

- -45°C to +85°C (-49°F to +185°F)

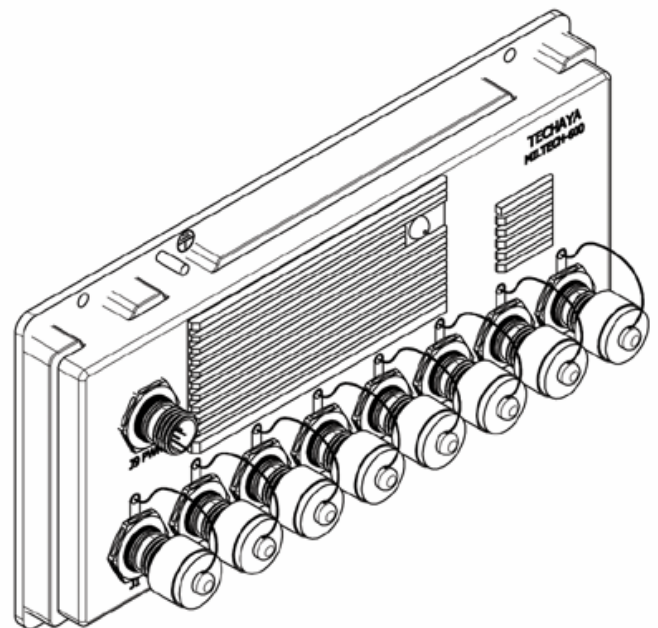
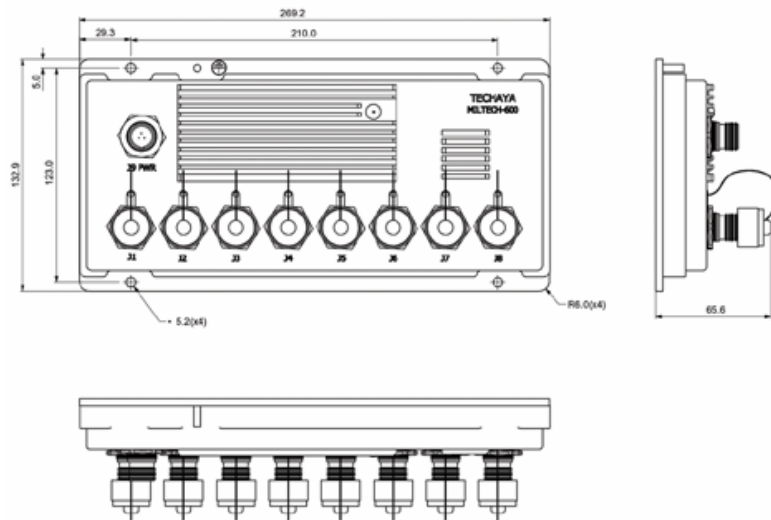
ORDERING INFORMATION

PART NUMBER

MILTECH-808
MIL800-CBL
MILCAP-9

DESCRIPTION

MILTECH-808, MIL-STD Rugged, 8 x 10/100TX, Managed Switch
Starter Cable set for MILTECH800, MIL-D-38999 to RJ-45 Connectors, 5 feet length
Protective Caps



**All measurements are in millimeters*

