



# MILTECH™ 308

## Compact, Portable Military Fast Ethernet Switch

Driven by rapid advancement and lower costs, Ethernet is becoming the standard for IP-based components in a wide range of military and commercial land, sea, and air applications.

The MILTECH308's ultra-compact, IP68 rugged construction, and Fast Ethernet make it the ideal switching solution for command post, man packable and UAV systems. Its eight 10/100Mbps ports are plug-n-play with all Ethernet equipment and provide network connectivity for most portable Ethernet devices, including:

- Helmet-mounted heads-up displays
- Computers
- Navigation devices
- Communications systems
- IP-based sensors

With the best combination of size, weight, power and cost (SWaP-C) in the industry, the MILTECH308 reduces load on the soldier, providing more space for equipment that increases effectiveness and survivability.

The MILTECH308 operates on readily available 5VDC power and may easily be powered from computers and other devices with USB ports. The MILTECH's mechanical packaging enhancements, including ruggedized SCE2 circular connectors, is designed for MIL-STD-810F airborne and ground environmental compliance and high reliability. Leveraging best-in-class switching technology from Techaya, the MILTECH 308 serves as a robust commercial off-the-shelf (COTS) solution for rugged LAN connectivity.

### SPECIFICATIONS

<b>ETHERNET PORTS:</b>	<ul style="list-style-type: none"> <li>• 8 x switched 10/100 (Fast Ethernet) ports</li> </ul>
<b>NETWORKING:</b>	<ul style="list-style-type: none"> <li>• Full wire-speed forwarding rate</li> <li>• Store-and-forward mechanism</li> <li>• Auto MDI-II, MDI-X</li> <li>• Auto-Negotiation Protocol</li> <li>• Address Look-Up</li> </ul>
<b>CONNECTORS:</b>	<ul style="list-style-type: none"> <li>• Power Connector: SCE2-B-76A06-075N-001</li> <li>• LAN Connector: SCE2-B-76A06-075N-001</li> <li>• LED Indication Per Port (Link/Activity)</li> </ul>
<b>CHASSIS:</b>	<ul style="list-style-type: none"> <li>• Machined rugged aluminum</li> <li>• Conductively cooled w/custom internal heat-sinks</li> <li>• Ingress protection against sand, dust and moisture</li> <li>• Anodize Coating, MIL-A-8625, Type II, Class 2</li> </ul>
<b>STANDARDS:</b>	<ul style="list-style-type: none"> <li>• MILSTD-461E, MILSTD-810F/G/GM, IP68</li> </ul>
<b>PERFORMANCE:</b>	<ul style="list-style-type: none"> <li>• 128K Byte of SRAM for Frame Buffering</li> <li>• 2.0Gbps High-Performance Memory Bandwidth</li> <li>• Wire-Speed Reception and Transmission</li> </ul>



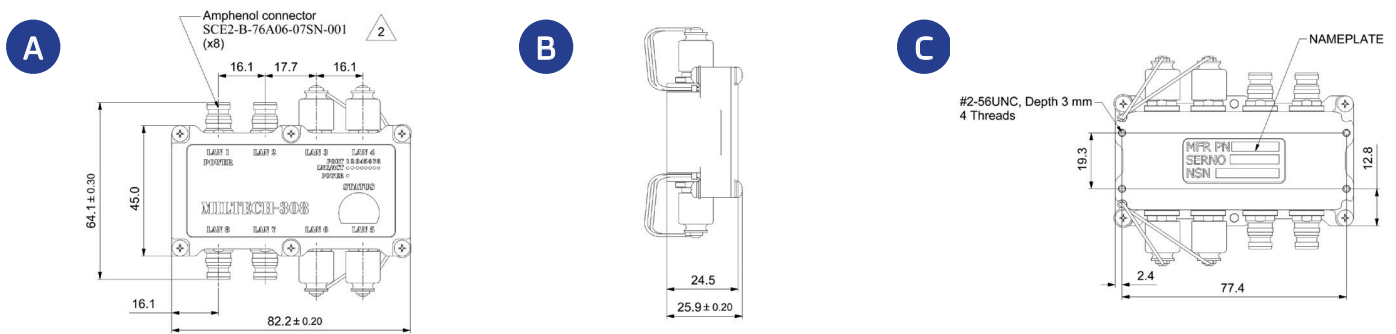


# MILTECH™ 308

Compact, Portable Military Fast Ethernet Switch

## SPECIFICATIONS

<b>STANDARDS COMPLIANCE:</b>	<ul style="list-style-type: none"> <li>IEEE 802.3 10 Mbps 10BASE-T (Ethernet)</li> <li>IEEE 802.3u 100BASE-TX 100 Mbps (Fast Ethernet)</li> <li>IEEE 802.3x Flow Control</li> </ul>
<b>POWER:</b>	<ul style="list-style-type: none"> <li>Voltage Input: 5Vdc Nominal - Supports USB Sourcing</li> <li>Power Consumption: 2W Typical</li> <li>Chassis grounding</li> </ul>
<b>ELECTROMAGNETIC:</b>	<ul style="list-style-type: none"> <li>MIL-STD-461E Electromagnetic compatibility</li> <li>CE-102   CS-114   CS-115   CS-116   RE-102   RS-103</li> </ul>
<b>ENVIRONMENTAL:</b>	<ul style="list-style-type: none"> <li>MILSTD-810F/G/GM: Random vibration (514.5)   Bench Handling (516.6VI)   High Temp.(501.5I,II)   Low Temp.(502.5I)   Humidity (507.5II)   Air Pressure (500.5I,II)   Blowing Rain (506.5I)   Immersion (512.5I)   Salt Atmosphere (509.5I)   Blowing Dust (510.5I)   Loose Cargo Vibration (514.6II)   Wind Analysis. IP68</li> </ul>
<b>PHYSICAL:</b>	<ul style="list-style-type: none"> <li>Dimensions: 82.2mm (L) x 64.1mm (W) x 26mm (H), Not including connector Dust Caps</li> <li>Dimensions: 3.2"(L) x 2.5"(W) x 1.0(H), Not including connector Dust Caps</li> <li>Weight: 140g, Not including dust caps</li> </ul>
<b>INSTALLATION:</b>	<ul style="list-style-type: none"> <li>Portable, 4 screws for mounting to any flat surface</li> <li>4 x 4-40 UNC screws with locking helicoils</li> </ul>
<b>COOLING:</b>	<ul style="list-style-type: none"> <li>No Moving Parts. Passive Cooling</li> </ul>
<b>OPERATING TEMP:</b>	<ul style="list-style-type: none"> <li>-45°C to +85°C (-49°F to +185°F) – Cold Start-Up</li> </ul>
<b>STORAGE TEMP:</b>	<ul style="list-style-type: none"> <li>-51°C to +85°C (-60°F to +185°F)</li> </ul>



\*All measurements are in millimeters

## ORDERING INFORMATION

PART NUMBER	DESCRIPTION
1-308-000	MILTECH308, 8 x 10/100 TX MIL-STD Rugged Switch, dust caps attached with cord
1-308-001	MILTECH308, 8 x 10/100 TX MIL-STD Rugged Switch
2-CBL308LN3M	LAN Harness for MILTECH308/304 MIL-SCE circular connector to RJ45, 3 meter length
2-CBL308LN3M	Power +LAN Harness for MILTECH308/304 MIL-SCE circular connector to RJ45 and 2 wire , 3 meter length