



MILTECH™ 5002

Military Rugged Communication System

FEATURES

Techaya's MILTECH™5002 Series is a MIL-STD rugged, military-grade communication system for transferring Video, Serial (RS-422), Discrete Signals, Gigabit Ethernet switch, over single strand Tactical Fiber with Expanded Beam technology.

Developed for military and harsh environment applications, the MILTECH™5002 features mechanical packaging enhancements designed for MIL-STD-810F airborne and ground environmental compliance and high reliability. The unit has been especially hardened to improve ingress, impact, and shock/vibration protection, as well as eliminate all moving parts through passive cooling, and interface through sealed MIL-D-38999

circular connectors.

Leveraging best-in-class technology from Techaya, the MILTECH™5002 serves as a robust solution for transferring Tactical Communication signals over fiber, to provide connectivity to IP-enabled systems and net-centric devices. Compact in size, the MILTECH™5002 is particularly useful for expanding port density in space-constrained airborne and ground vehicle environments.

MILTECH™5002 is specifically designed for Data Acquisition & Transmission, Battlefield Communication C4ISR, Rugged Networks, Mobile Communications, Combat vehicles and Avionic & Shipboard Systems.

SPECIFICATIONS

PORTS	<ul style="list-style-type: none"> • 2 x Composite Video • 1 x Data Inputs RS422 • 8 x DI (Open / GND) • 8 x DO (Open / GND) • 4 x managed switched 10/100/1000TX ports • Expanded Beam Tactical Fiber Optic
NETWORKING	<ul style="list-style-type: none"> • Full wire-speed forwarding rate • Dedicated FPGA based • Extreme Low Latency
CONNECTORS	<ul style="list-style-type: none"> • MIL-D-38999 (Power & Ethernet, I/O, Discrete signals) • Power Connector Type: D38999/24WA98PN • Tactical Expanded Beam Fiber Connector
CHASSIS	<ul style="list-style-type: none"> • Low profile rugged aluminum • Conductively cooled w/custom internal heat-sinks • Ingress protection against sand, dust and moisture • Anodize Coating, MIL-A-8625, Type II, Class 2
STANDARDS	<ul style="list-style-type: none"> • MILSTD-1275, MILSTD-704A, MILSTD-461E,
VOLTAGE OPERATION	<ul style="list-style-type: none"> • 24VDC (18VDC ~ 36VDC)



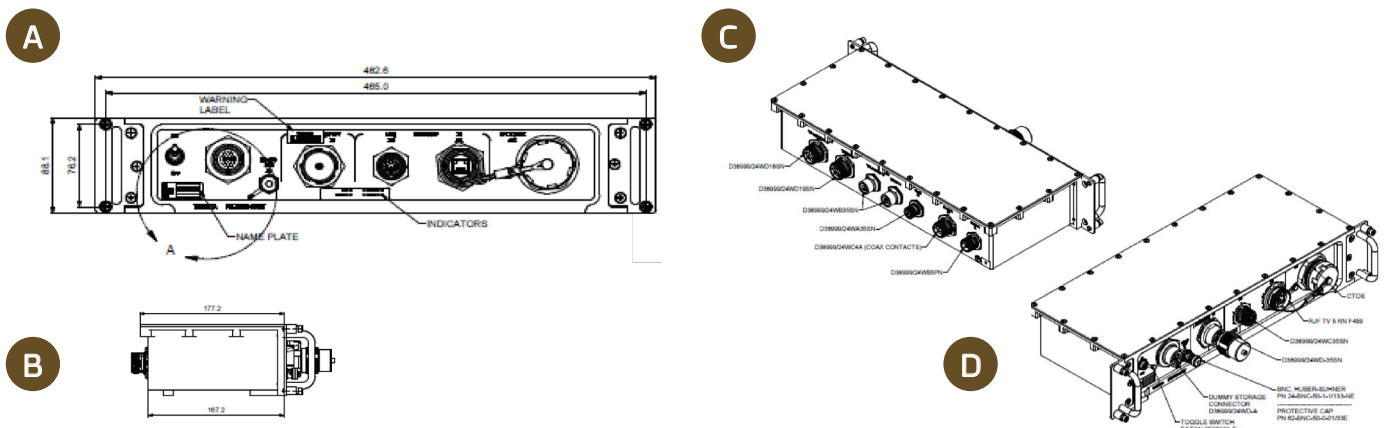


MILTECH™ 5002

Military Rugged Communication System

SPECIFICATIONS

PERFORMANCE	<ul style="list-style-type: none"> • Bi-Directional Dry Contact up to 28VDC • Analog video NTSC/PAL/RS170 • Serial Interfaces RS-422 up to 20Mbps per interface • Serial Interfaces RS-232 up to 230Kbps
POWER	<ul style="list-style-type: none"> • MIL-STD-1275B & MIL-STD 704A Surge and Spike protection • Voltage Input: 24Vdc Nominal (18-32V) • Power Consumption: 20W Typical
ELECTROMAGNETIC	<ul style="list-style-type: none"> • MIL-STD-461E Electromagnetic compatibility • CE-102, CS-114, CS-115, CS-116, RE-102, RS-103
SHOCK/ VIBRATION/ HUMIDITY	<ul style="list-style-type: none"> • MIL-STD-810F, 501.4I, 501.4II, 502.4I, 502.4II, 507.4, 500.4II, 514, 516I, 516Vi, 514.5, 512.4. • IP67
PHYSICAL	<ul style="list-style-type: none"> • Dimensions: 440mm (L) x 200(D) x 88(H), 19", 2U • Weight: 4.5kg
INSTALLATION	<ul style="list-style-type: none"> • Set of Four 4x10-32 captive screws for 19" cabinet mounting or holes on bottom for mounting to any flat surface. • Carrying handles.
COOLING	<ul style="list-style-type: none"> • No Moving Parts. Passive Cooling
OPERATING TEMP	<ul style="list-style-type: none"> • -35°C to +75°C (-31°F to +167°F) – Cold Start-Up
STORAGE TEMP	<ul style="list-style-type: none"> • -45°C to +85°C (-49°F to +185°F)



ORDERING INFORMATION

PART NUMBER	DESCRIPTION
MILTECH5002T/R	<ul style="list-style-type: none"> • MILTECH™5002 MIL-STD Rugged communication system over tactical fiber (T=Transmitter, R= Receiver)
MIL5002-HND	<ul style="list-style-type: none"> • Carrying Handles Kit for MILTECH™5002